

## PERFORMANCE DATA SHEET NEMA PREMIUM NR CAN NEMA 12 - 12

Catalogue #: **MPOP-52**

HP	kW	Voltage	S.F. @ 60Hz	EFF.	P.F.	Frame	Design	L.R. Amps
30	22.38	575	1.15	94.1%	0.85	286T	B	174

60 Hz								Code	F.L. RPM
FLA									
208	230	416	460	480	575	600		G	1775
/	/	/	/	/	28	26.83			

50 Hz								
FLA			S.F. @ 50Hz	Efficiency	Power Factor	Code	F.L. RPM	
190	380	415						
/	/	/	/	/	/	/	/	

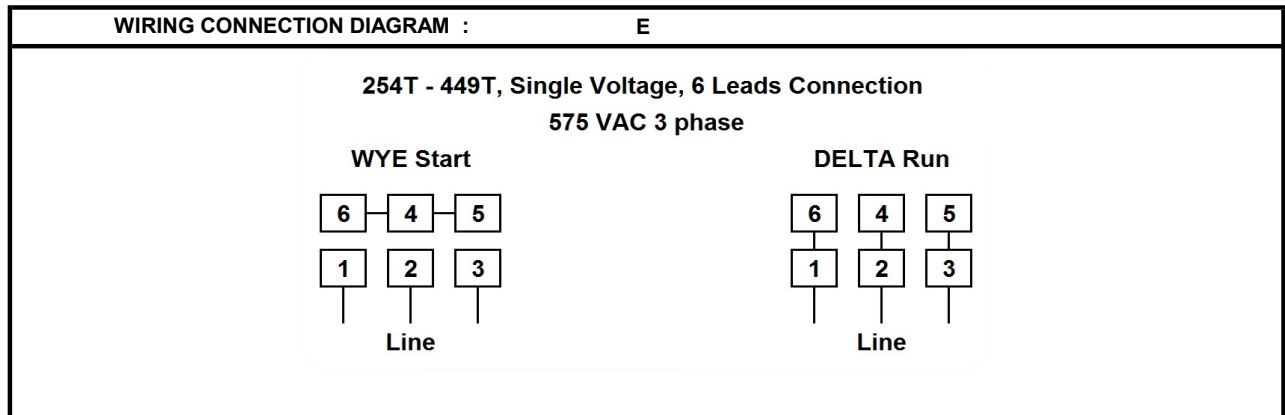
Wgt. Lbs	PH	Duty	Insul. Class	Amb.	Elevation	Temp. Rise° C
418	3	Cont.	F	40°C	1000M (3300 Ft)	65

% Efficiency		% Power Factor		Torque		Winding Resist. Ω	Safe Cold Start (Secs)
Full Load:	94.1%	Full Load:	0.85	Full Load Ft/Lbs	88.8		
3/4 Load:	93.6%	3/4 Load:	0.82	Locked Rotor %	190		
1/2 Load:	93.0%	1/2 Load:	0.72	Break Down %	250	0.47	20

Rotor Inertia Wk2 Lb-Ft2	Max Load Inertia Wk2 Lb-Ft2	Shaft Material	Frame Material	DE Bracket Type	ODE Bracket Type	Enclosure	NEMA Rating	Lead Wire Size
4.75	200	Standard	Cast Iron	Standard	Standard	ODP	IP23	10AWG

Ball Bearings		Grease	Mount Type	Orientation	Paint	Sound Pressure @ 3FT	Sound Power
DE	ODE						
6311	6311	Mobil PolyrexEm	Rigid	Horizontal	Green	77	88

Inverter Duty. Motor meets MG1 parts 31.4.4.2	Constant Torque Range	Variable Torque Range	Constant HP RPM
	10:1	20:1	2700

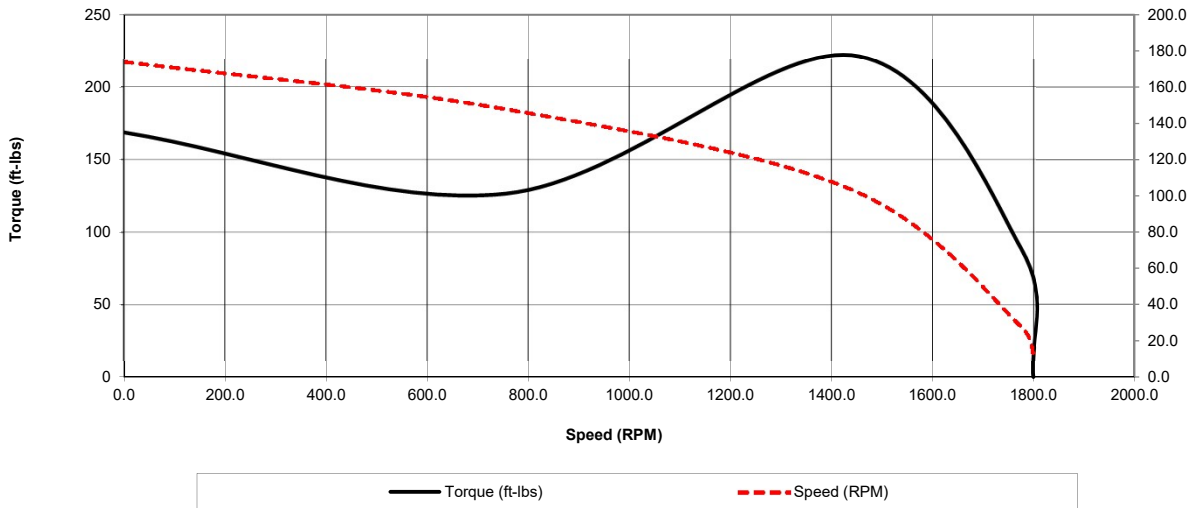


Date: 2020-02-18  
 Customer: \_\_\_\_\_  
 Contact: \_\_\_\_\_  
 Submittee: J.C. Lavallée

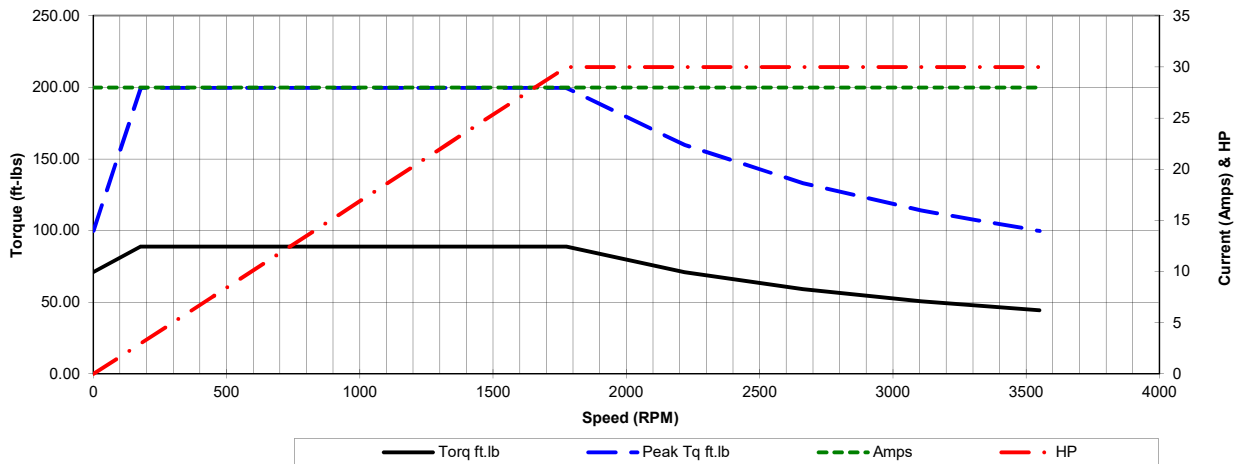
Catalogue #: **MPOP-52**

NEMA PREMIUM NR CAN NEMA 12 - 12										
HP	VAC	RPM	Enclosure	Frame	Frequency	Design	Poles	LR Code Letter	Insulation Class	Temp. Rise °C
30	575	1775	ODP	286T	60	B	4	G	F	65
	0Hz	6Hz	15Hz	30Hz	45Hz	60Hz	75Hz	90Hz	105Hz	120Hz
Amps	28	28	28	28	28	28	28	28	28	28
RPM	0	177.5	443.75	887.5	1331.25	1775	2218.75	2662.5	3106.25	3550
Torq ft.lb	71.01	88.77	88.77	88.77	88.77	88.77	71.01	59.18	50.72	44.38
Peak Tq ft.lb	99.86	199.72	199.72	199.72	199.72	199.72	159.78	133.15	114.13	99.86
HP	0	3.0	7.5	15.0	22.5	30.0	30.0	30.0	30.0	30.0
	Locked Rotor	Pull-Up	Breakdown	Rated Load	Idle	Duty	S. F.	Ambient	Elevation	dBA @ 1M
Speed (RPM)	0.0	756	1440	1775	1800	Continuous	1.15	40°C	3300 ft	77
Current (Amps)	174.0	147.9	103.5	28.0	10.5	VFD Rating: Meets MG1 parts 31.4.4.2				
Torque (ft-lbs)	168.7	126.5	221.9	88.8	0.0	C.T.	10:1	V.T.	20:1	

Motor Speed Data



Motor Torque Capability vs RPM





Date: 2020-02-18  
 Customer: \_\_\_\_\_  
 Contact: \_\_\_\_\_  
 Submittee: J.C. Lavallée

Catalogue #: **MPOP-52**

NEMA PREMIUM NR CAN NEMA 12 - 12										
HP	VAC	RPM	Enclosure	Frame	Frequency	Design	Poles	LR Code Letter	Insulation Class	Temp. Rise °C
30	575	1775	ODP	286T	60	B	4	G	F	65
Load %	0%	25%	50%	75%	100%	125%	150%			
Amps	10.50	12.00	16.20	21.50	28.00	34.79	41.85			
Torq ft/lbs	0	21.86	43.30	65.20	87.26	109.53	132.10			
RPM	0	1793.75	1787.5	1781.25	1775	1768.75	1762.5			
Eff	0	94.77	93.00	93.60	94.10	94.10	94.10			
PF	0	49.4	72	82	85	85.8	85.6			
	Locked Rotor	Pull-Up	Breakdown	Rated Load	Idle	Duty	S. F.	Ambient	Elevation	dBA @ 1M
Speed (RPM)	0	756	1440	1775	1800	Continuous	1.15	40°C	3300 ft	77
Current (Amps)	174	147.9	103.5	28	10.5	VFD Rating: Meets MG1 parts 31.4.4.2				
Torque (ft-lbs)	168.66	126.49	221.92	88.77	0.0	C.T.	10:1	V.T.	20:1	

